

**BOOST CONTROLLER****AP3039****General Description**

AP3039 is a current mode high voltage low-side N-channel MOSFET controller which is ideal for boost regulators. It contains all the features needed to implement single ended primary topology DC/DC converters.

The input voltage range of AP3039 is from 5V to 27V. Its operation frequency is adjustable from 150kHz to 1MHz.

The AP3039 has UVLO (Under Voltage Lock Out) circuit. It uses two external resistors to set the UVLO voltage. The AP3039 also has an over output voltage protection to limit the output voltage. The OVP voltage can be set through external resistors. If the output voltage is higher than the OVP high threshold point, it will disable the driver, when the output voltage drops to the OVP low threshold point, it will enable the driver. It also features a soft start to reduce the inrush current when power on, the soft start time can be set through an external capacitor.

The AP3039 is available in QFN-3x3-16 and SOIC-14 packages.

**Features**

- Input Voltage Range 5V to 27V
- 0.6A Peak MOSFET Gate Driver
- 20ns Quick MOSFET Gate Driver
- Duty Cycle Limit of 90%
- Programmable UVLO
- Programmable Over Voltage Protection
- Cycle by Cycle Current Limit
- Adjustable Soft-Start
- Adjustable Operation Frequency from 150kHz to 1MHz

**Applications**

- LED Lighting
- Notebook
- LCD Display Modules

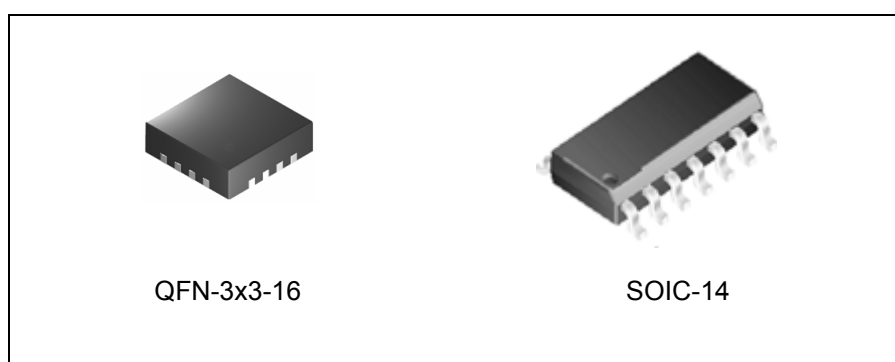


Figure 1. Package Types of AP3039

**BOOST CONTROLLER**

**AP3039**

**Pin Configuration**

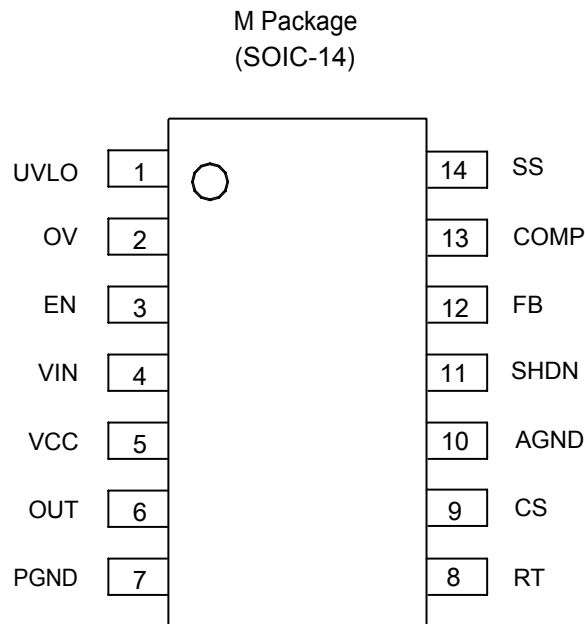
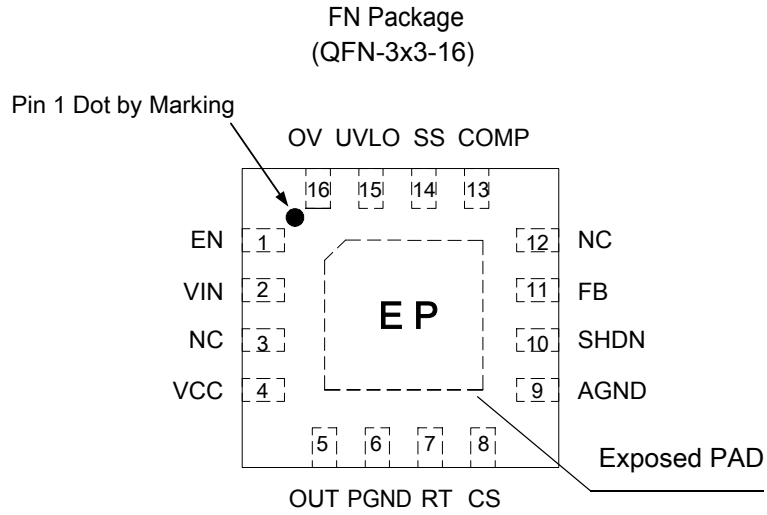


Figure 2. Pin Configuration of AP3039 (Top View)

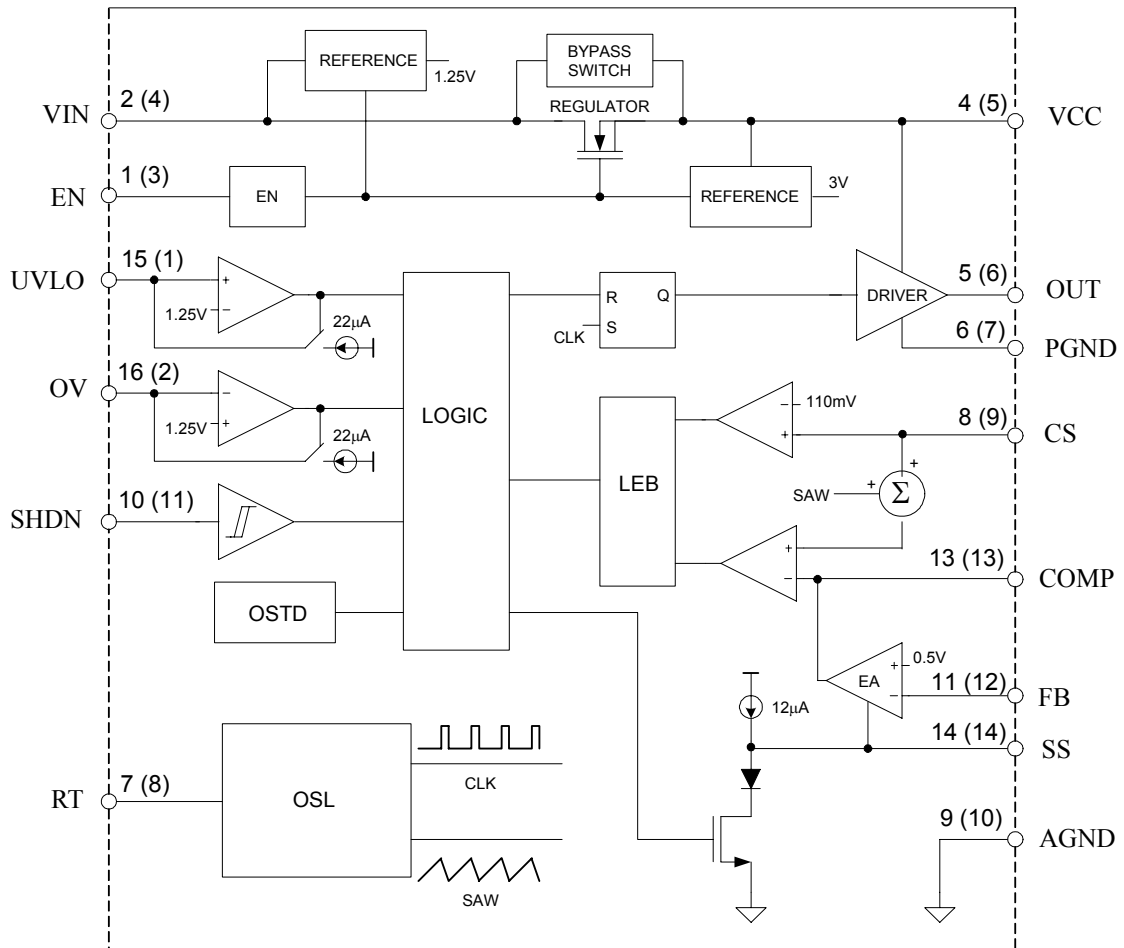
**BOOST CONTROLLER****AP3039****Pin Description**

Pin Number		Pin Name	Function
16-pin	14-pin		
1	3	EN	Enable pin
2	4	VIN	Input supply pin, must be locally bypassed
3, 12		NC	No connection (for QFN-3x3-16 package only)
4	5	VCC	6V linear regulator output pin. VCC is used to bias the gate driver for the external MOSFET. If $V_{IN}$ is less than 8.5V, the $V_{CC}$ is equal to $V_{IN}$ minus drop voltage across bypass switch. If $V_{IN}$ is less than 6V, connect VCC to VIN. This pin should be bypassed to GND (recommend to connect with AGND pin) with a ceramic capacitor
5	6	OUT	Connect this pin to the gate of external MOSFET, the gate driver has 0.6A peak current capability
6	7	PGND	Power ground
7	8	RT	An external resistor connected from this pin to GND to set the operating frequency
8	9	CS	Sense switch current pin, which is used for current mode control and for current limit
9	10	AGND	Reference ground
10	11	SHDN	This pin can be connected to current matched chip and receives error signal used to shut down the system
11	12	FB	Voltage Feedback Pin. The reference voltage is 500mV
13	13	COMP	Compensation Pin. This pin is the output of the internal Error Amplifier
14	14	SS	An external soft start time capacitor is connected from this pin to ground and is charged by internal 12 $\mu$ A current source to control regulator soft start time
15	1	UVLO	Two resistors connected from this pin to ground and the VIN pin respectively to set start up and shutdown level
16	2	OV	Over output voltage protection pin
		EP	Exposed backside pad. Solder to the circuit board ground plane with sufficient copper connection to ensure low thermal resistance (for QFN-3x3-16 package only)

**BOOST CONTROLLER**

**AP3039**

**Functional Block Diagram**



A (B)  
 A QFN-3x3-16  
 B SOIC-14

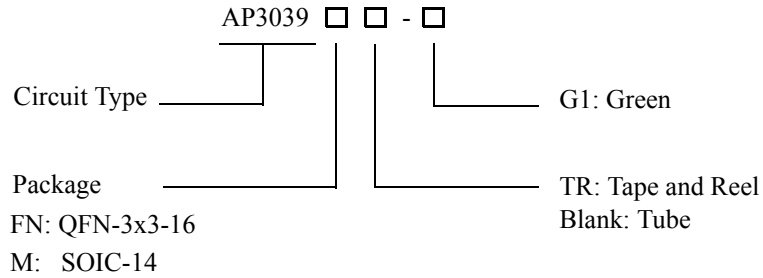
Figure 3. Functional Block Diagram of AP3039



**BOOST CONTROLLER**

**AP3039**

**Ordering Information**



Package	Temperature Range	Part Number	Marking ID	Packing Type
QFN-3x3-16	-40 to 85°C	AP3039FNTR-G1	B2A	Tape & Reel
SOIC-14		AP3039M-G1	3039M-G1	Tube
		AP3039MTR-G1	3039M-G1	Tape & Reel

BCD Semiconductor's products, as designated with "G1" suffix in the part number, are RoHS compliant and Green.

**BOOST CONTROLLER****AP3039****Absolute Maximum Ratings (Note 1)**

Parameter	Symbol	Value	Unit	
Input Voltage	$V_{IN}$	30	V	
VCC Pin Voltage	$V_{CC}$	10	V	
OUT Pin Voltage	$V_{OUT}$	10	V	
Feedback Pin Voltage	$V_{FB}$	7	V	
UVLO Pin Voltage	$V_{UVLO}$	7	V	
CS Pin Voltage	$V_{CS}$	7	V	
SHDN Pin Voltage	$V_{SHDN}$	7	V	
Enable Pin Voltage	$V_{EN}$	$V_{IN}$	V	
OV Pin Voltage	$V_{OV}$	7	V	
Thermal Resistance (Junction to Ambient, no Heat sink)	$\theta_{JA}$	QFN-3x3-16	60	°C/W
		SOIC-14	102	
Operating Junction Temperature	$T_J$	150	°C	
Storage Temperature Range	$T_{STG}$	-65 to 150	°C	
Lead Temperature (Soldering, 10sec)	$T_{LEAD}$	260	°C	
ESD (Machine Model)		200	V	
ESD (Human Body Model)		2000	V	

Note 1: Stresses greater than those listed under "Absolute Maximum Ratings" may cause permanent damage to the device. These are stress ratings only, and functional operation of the device at these or any other conditions beyond those indicated under "Recommended Operating Conditions" is not implied. Exposure to "Absolute Maximum Ratings" for extended periods may affect device reliability.

**Recommended Operating Conditions**

Parameter	Symbol	Min	Max	Unit
Input Voltage	$V_{IN}$	5	27	V
Operating Frequency	f	150	1000	kHz
Operating Temperature	$T_A$	-40	85	°C



**BOOST CONTROLLER**

**AP3039**

**Electrical Characteristics**

( $V_{IN}=12V$ ,  $V_{EN}=V_{IN}$ ,  $T_A=25^{\circ}C$ , unless otherwise specified.)

Parameter	Symbol	Conditions	Min	Typ	Max	Unit
Input Voltage	$V_{IN}$	$V_{CC}=V_{IN}$	5		6	V
		$V_{CC}$ bypassed to GND through a 0.47 $\mu$ F capacitor	6		27	
Feedback Voltage	$V_{FB}$		490	500	510	mV
FB Pin Bias Current	$I_{FB}$			35	100	nA
Quiescent Current	$I_Q$	No switching		3	5	mA
Shutdown Quiescent Current	$I_{SHDN}$	$V_{EN}=0V$		1	2	$\mu$ A
VCC Voltage	$V_{CC}$	$9V \leq V_{IN} \leq 27V$	5.5	6	6.5	V
		$6V \leq V_{IN} < 9V$	5			
VCC Current Limit	$I_{CC-LIM}$			50		mA
Drop Voltage Across Bypass Switch	$V_{IN}-V_{CC}$	$I_{CC}=0mA$ , $f_{OSC} \leq 200kHz$ , $6V \leq V_{IN} < 8.5V$		300		mV
Bypass Switch Turn-off Threshold	$V_{BYP-HI}$	$V_{IN}$ increasing		8.7		V
Bypass Switch Threshold Hysteresis	$V_{BYP-HYS}$	$V_{IN}$ decreasing		260		mV
VCC Pin UVLO Rising Threshold	$V_{CC-HI}$			4.7		V
VCC Pin UVLO Falling Hysteresis	$V_{CC-HYS}$			300		mV
Oscillator Frequency	$f_{OSC}$	Adjustable, $R_T=51k\Omega$ to 470k $\Omega$	150		1000	kHz
UVLO Threshold	$V_{UVLO}$		1.22	1.25	1.28	V
UVLO Hysteresis Current Source	$I_{HYS}$			22		$\mu$ A
Current Limit Threshold Voltage	$V_{CS}$		90	110	130	mV
RT Voltage	$V_{RT}$		1.20	1.25	1.30	V
Error Amplifier Transconductance	$G_S$			470		$\mu$ A/V
EN Pin Threshold Voltage	$V_{EH}$		2.0			V
	$V_{EL}$				0.5	
SHDN Pin Threshold Voltage	$V_{IH}$		2.0			V
	$V_{IL}$				0.5	

**BOOST CONTROLLER****AP3039****Electrical Characteristics (Continued)** $(V_{IN}=12V, V_{EN}=V_{IN}, T_A=25^{\circ}C, \text{ unless otherwise specified.})$ 

Parameter	Symbol	Conditions	Min	Typ	Max	Unit
OV Threshold	$V_{OV}$			1.25		V
OV Hysteresis Current Source	$I_{OV-HYS}$			22		$\mu A$
Maximum Duty Cycle	$D_{MAX}$			90	93	%
Soft Start Current Source	$I_{SS}$			12		$\mu A$
Out Pin Rise Time	$t_{RISE}$	Out Pin Load =1nF		20		ns
Out Pin Fall Time	$t_{FALL}$	Out Pin Load =1nF		20		ns
OUT Dropout Voltage ( $V_{CC}-V_{OUT}$ )	$V_{OUT-H}$	$I_{OUT}=50mA$		0.25	0.75	V
OUT Low Voltage Level ( $V_{OUT}$ )	$V_{OUT-L}$	$I_{OUT}=100mA$		0.25	0.75	V
Thermal Shutdown Temperature	$T_{OTSD}$			160		$^{\circ}C$
Thermal Shutdown Hysteresis	$T_{HYS}$			20		$^{\circ}C$





**BOOST CONTROLLER**

**AP3039**

**Typical Performance Characteristics**

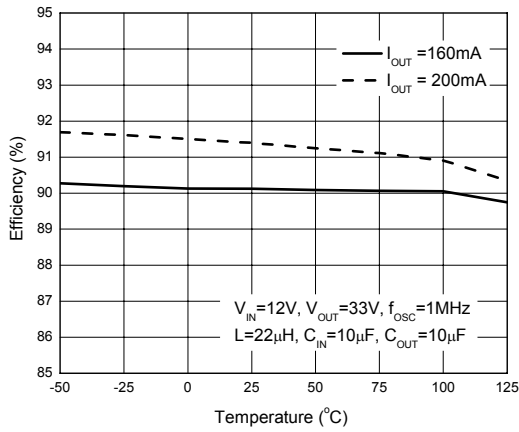


Figure 4. Efficiency vs. Case Temperature

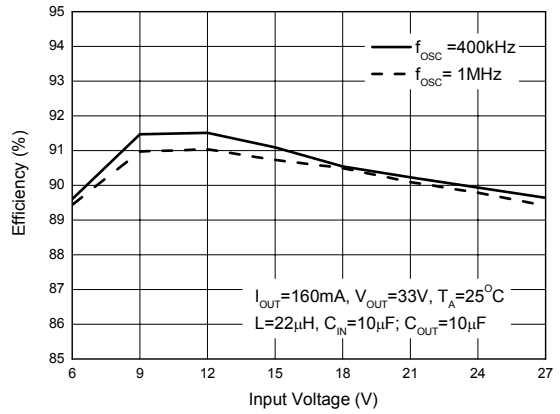


Figure 5. Efficiency vs. Input Voltage

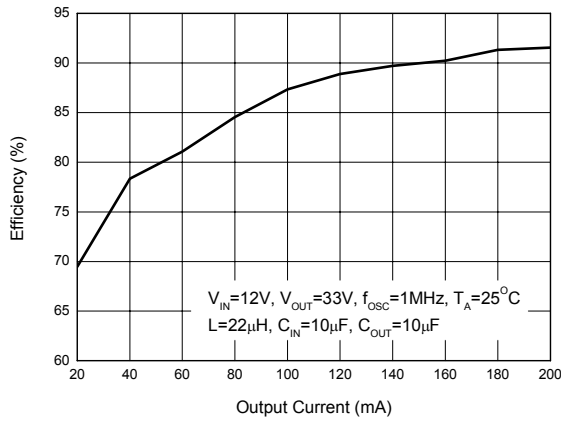


Figure 6. Efficiency vs. Output Current

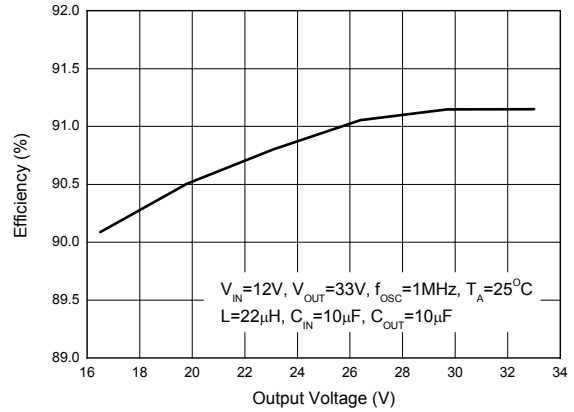


Figure 7. Efficiency vs. Output Voltage



**Typical Performance Characteristics (Continued)**

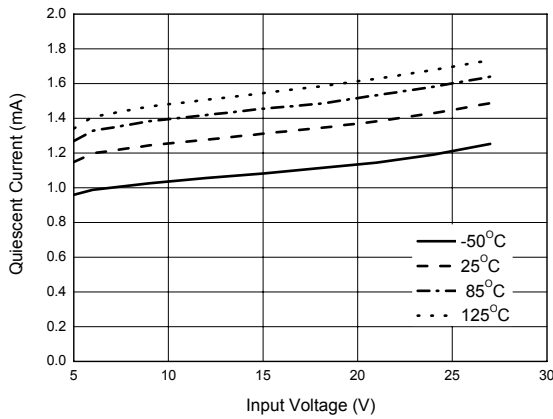


Figure 8. Quiescent Current vs. Input Voltage

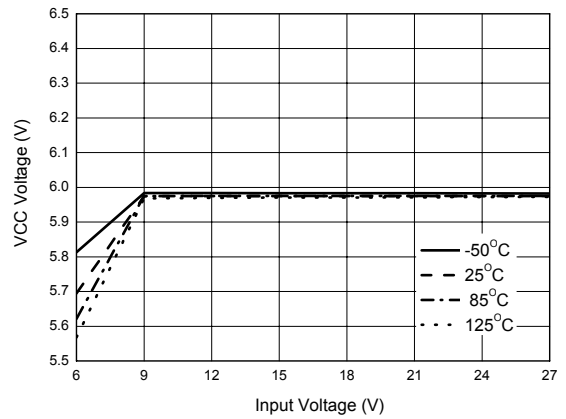


Figure 9. VCC Voltage vs. Input Voltage

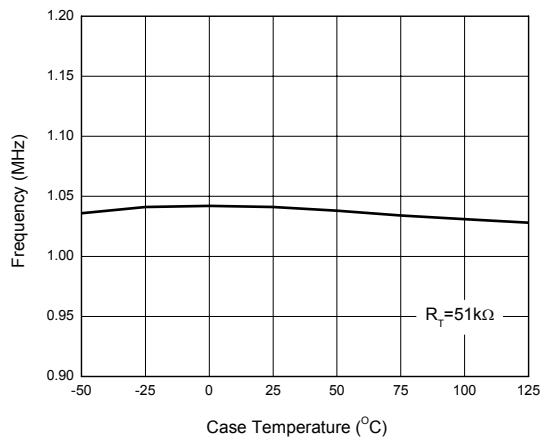


Figure 10. Switching Frequency vs. Case Temperature

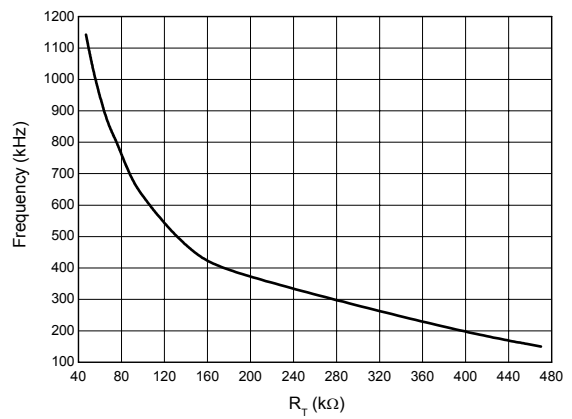


Figure 11. Switching Frequency vs.  $R_T$  Value



**Typical Performance Characteristics (Continued)**

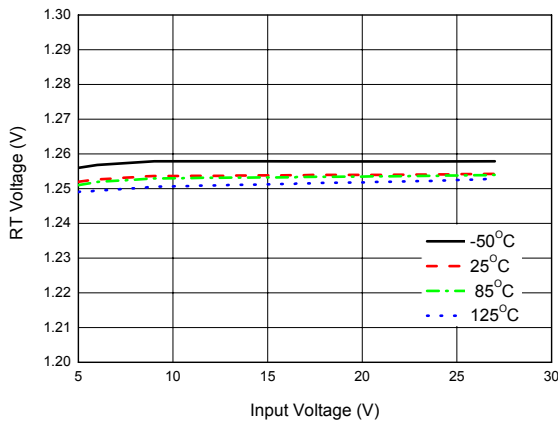


Figure 12. RT Voltage vs. Input Voltage

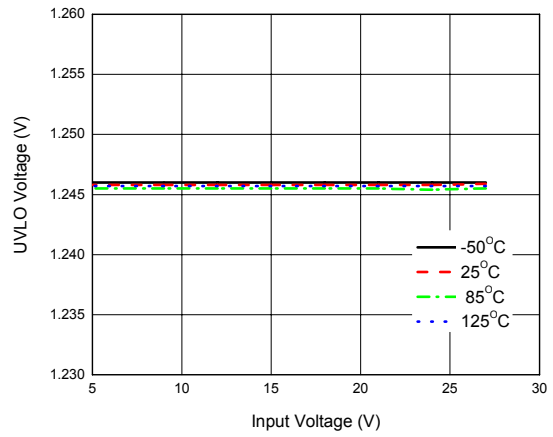


Figure 13. UVLO Voltage vs. Input Voltage

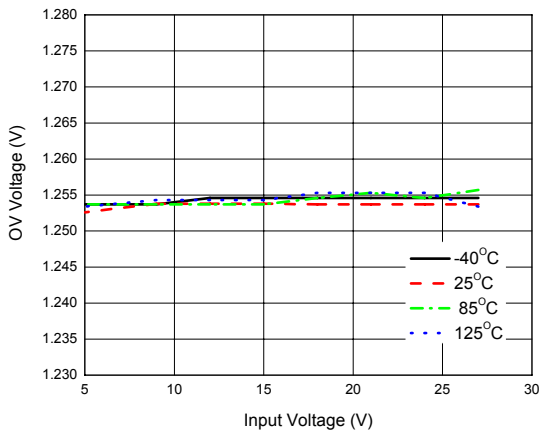


Figure 14. OV Voltage vs. Input Voltage

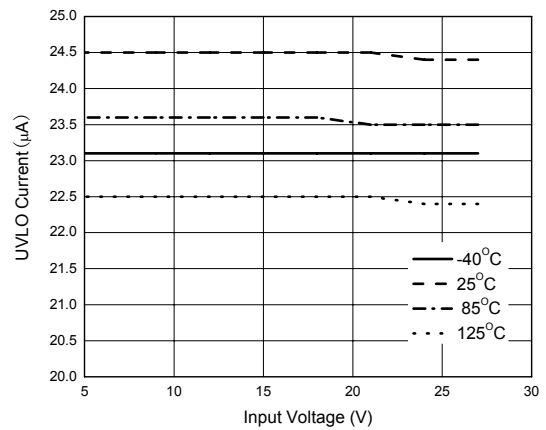


Figure 15. UVLO Current vs. Input Voltage



**Typical Performance Characteristics (Continued)**

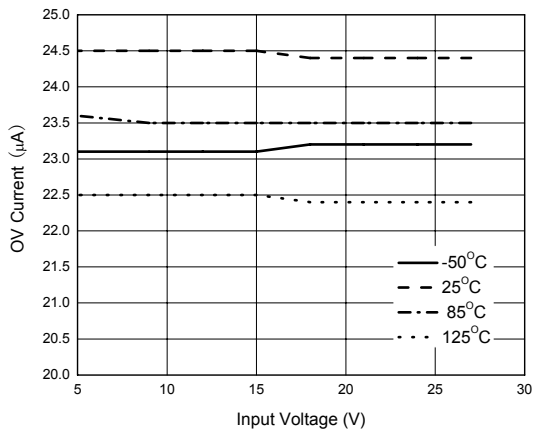


Figure 16. OV Current vs. Input Voltage

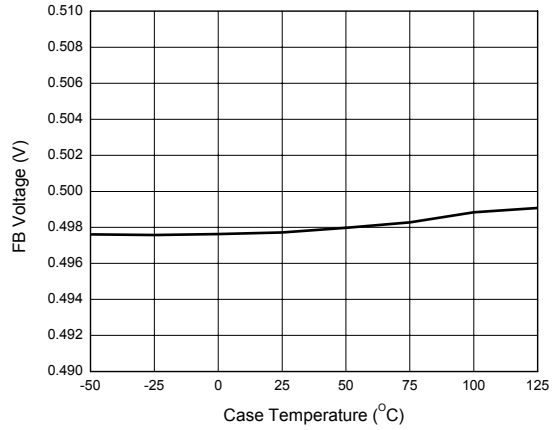


Figure 17. Feedback Voltage vs. Case Temperature

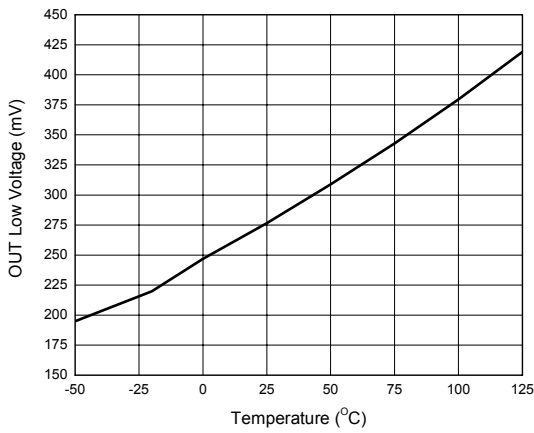


Figure 18. OUT Low Voltage vs. Case Temperature

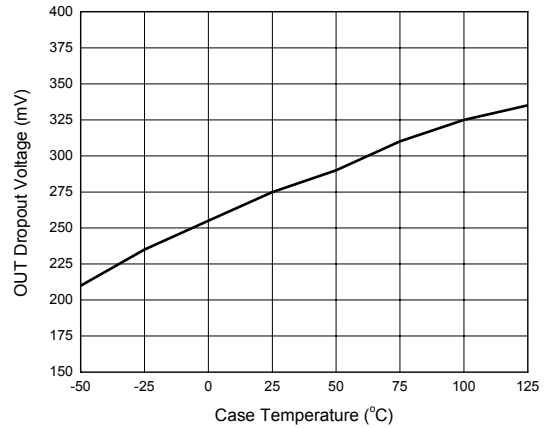


Figure 19. OUT Dropout Voltage vs. Case Temperature

**BOOST CONTROLLER****AP3039****Application Information  
Operation**

AP3039 is a boost DC-DC controller with adjustable operation frequency. Current mode control scheme provides excellent line and load regulation. Operation can be best understood by referring to Figure 3.

At the start of each oscillator cycle, the SR latch is set and external power switch Q1 (see Figure 20) turns on and the switch current will increase linearly. The voltage on external sense resistor  $R_{CS}$  (see Figure 20), connected from CS pin to GND, is proportional to the switch current. This voltage is added to a stabilizing ramp and the result is fed into the non-inversion input of the PWM comparator. When this non-inversion input voltage exceeds inversion input voltage of PWM comparator which is the output voltage of the error amplifier EA, the SR latch is reset and the external power switch turns off. The voltage level at inversion input of PWM comparator sets the peak current level to keep the output voltage in regulation. This voltage level is the amplified signal of the voltage difference between feedback voltage and reference voltage of 0.5V. So, a constant output current can be provided by this operation mode.

**Input Under-Voltage Detector**

AP3039 contains an Under Voltage Lock Out (UVLO) circuit. Two resistors R1 and R2 are connected from UVLO pin to ground and VIN pin respectively (see Figure 20). The resistor divider must be designed such that the voltage on the UVLO pin is higher than 1.25V when VIN is in the desired operating range. If the voltage on the pin is below under voltage threshold, all functions of AP3039 are disabled, but the system will remain in a low power standby state. UVLO hysteresis is accomplished through an internal 22 $\mu$ A current source which switched on or off 22 $\mu$ A current into the impedance of the set-point divider. When the UVLO threshold is exceeded, the current source is activated to instantly raise the voltage on the UVLO pin. When the UVLO pin voltage falls below the threshold the current source is turned off, causing the voltage on the UVLO pin to fall. The formula for UVLO can be expressed as below:

For Input Threshold Voltage  
 $V_{IN\_THRESHOLD}=1.25V*(R1+R2)/R2$

For Input Hysteresis Voltage  
 $V_{IN-HYSTERESIS}=22\mu A*R1$

**Over Voltage Protection**

AP3039 has an over voltage protection (OVP) circuit. The OV Pin is connected to the center tap of R3 and R4 resistor voltage-divider from the high voltage output to GND (see Figure 20). When the loop is open or the output voltage becomes excessive in any case, result the voltage on OV pin exceeds 1.25V, all functions of AP3039 will be disabled, and the output voltage will fall. OVP hysteresis is accomplished with an internal 22 $\mu$ A current source and the operation mode is the same as UVLO. The formula for OVP can be expressed as below:

For OVP Voltage  
 $V_{OVP}=1.25V*(R3+R4)/R4$   
 For OVP Hysteresis Voltage  
 $V_{OVP-HYSTERESIS}=22\mu A*R3$

**Frequency Selection**

An external resistor  $R_T$ , connected from RT pin to GND, is used to set the operating frequency (see Figure 20). Operation frequency range is from 150kHz to 1MHz (see Table 1). High frequency operation optimizes the regulator for the smallest component size, while low frequency operation can reduce the switch losses.

**Table 1. Frequency Selection**

Resistance of $R_T$ (k $\Omega$ )	Operating Frequency (kHz)
470	150
390	200
147	400
95	600
68	800
51	1000

**BOOST CONTROLLER**

**AP3039**

**Application Information (Continued)**

**Soft Start**

AP3039 has a soft start circuit to limit the inrush current during startup. The time of soft start is controlled by an internal 12μA current source and an external soft start capacitor C<sub>SS</sub> connected from SS pin to GND (see Figure 20). The effective C<sub>SS</sub> voltage for Soft Start is from 0 to 2.3V, the time of Soft Start is:

$$t_{SS} = C_{SS} * 2.3V / 12\mu A$$

**VCC Pin Application Description**

The AP3039 includes an internal low dropout linear regulator with the output pin VCC. This pin is used to power internal PWM controller, control logic and MOSFET driver. On the condition that V<sub>IN</sub> ≥ 8.5V, the regulator generates a 6V supply. If 6V ≤ V<sub>IN</sub> ≤ 8.5V, the VCC is equal to V<sub>IN</sub> minus drop voltage across bypass switch. When V<sub>IN</sub> is less than 6V, connect VCC to V<sub>IN</sub>.

**Typical Application**

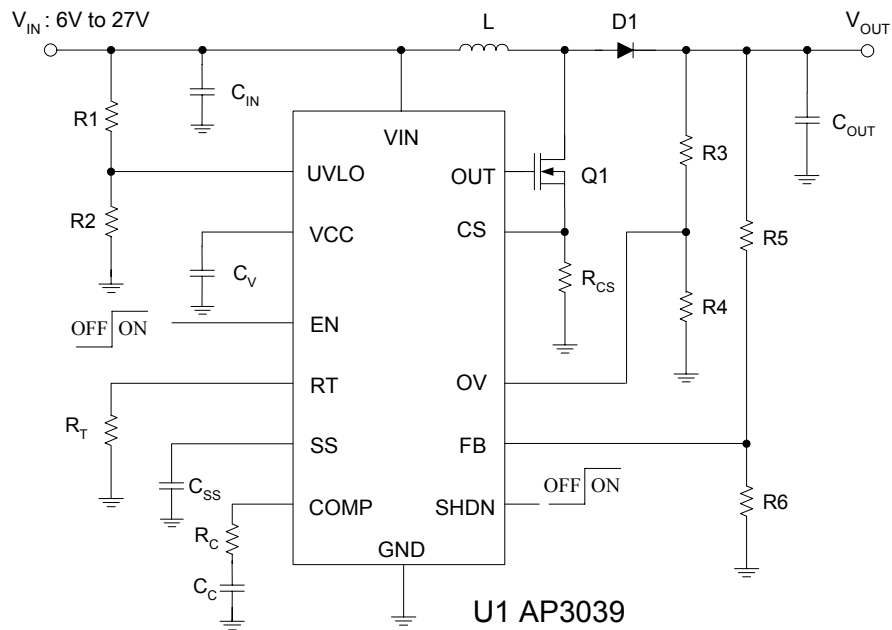


Figure 20. Application Circuit 1 of AP3039 (Note 2)

**BOOST CONTROLLER**

**AP3039**

**Typical Application (Continued)**

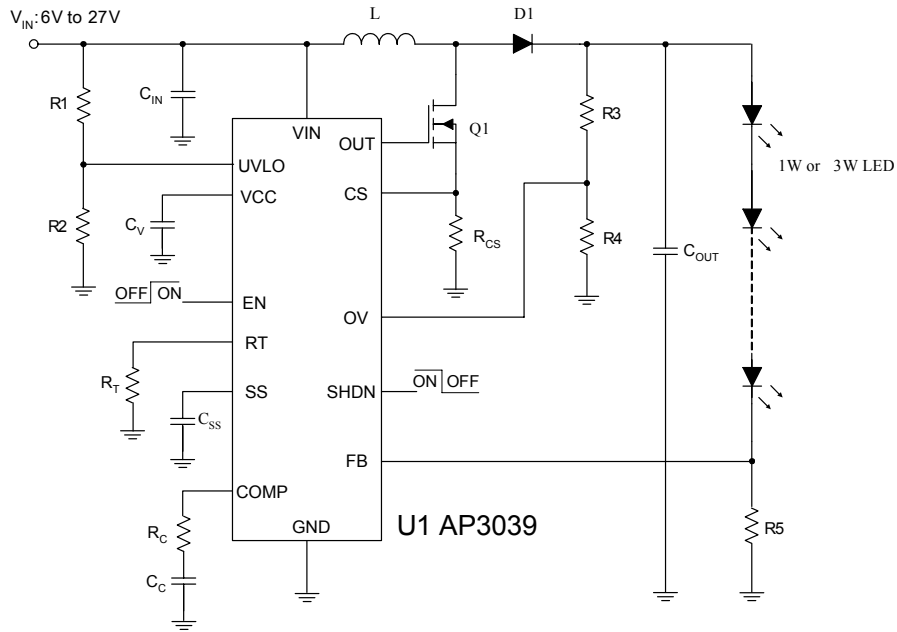


Figure 21. Application Circuit 2 of AP3039 (Driving Single 1W or 3W LED Lighting, Note 3)

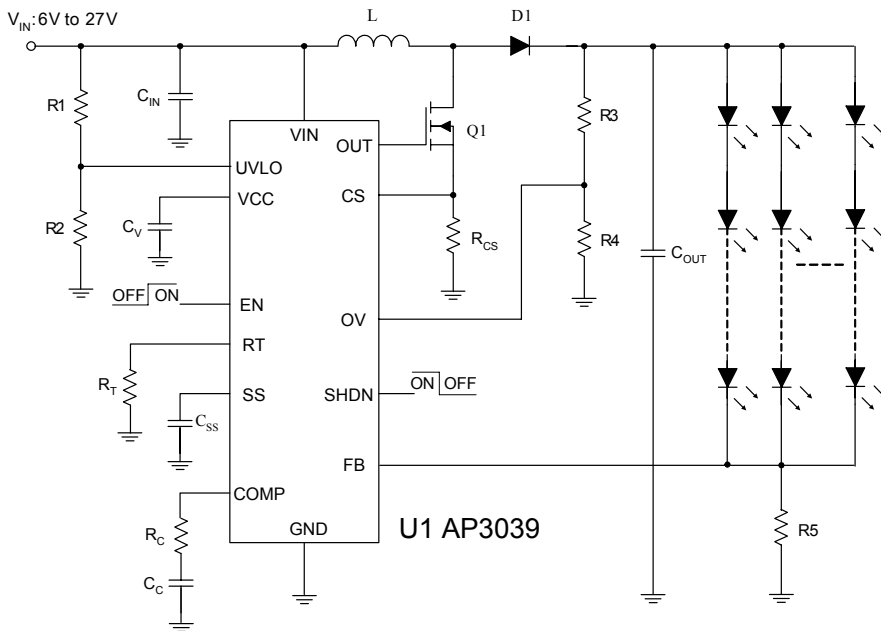


Figure 22. Application Circuit 3 of AP3039 (Backlight Driver, Note 4)

**Typical Application (Continued)**

Note 2: The output voltage is decided by R5, R6 and the internal 0.5V reference. The output voltage accuracy is determined by the accuracy of R5 and R6, for which the precise resistors are preferred.

$$V_{OUT} = \frac{0.5V}{R6} * (R5 + R6)$$

Note 3: In this application, the LED current is controlled by the feedback resistor R5. LEDs current accuracy is determined by regulator's feedback threshold accuracy and is independent of the LEDs' forward voltage variation. So the precise resistors are the better choices. The resistance of R5 is in inverse proportion to the LED current since the feedback reference is fixed at 0.5V. The relation of R5 and the LED current can be expressed as below:

$$R5 = \frac{0.5V}{I_{LED}}$$

Note 4: The summation of LED current is determined by R5 and internal 0.5V reference same as the illustration in Figure 22.

More detailed application information please refer to application note.



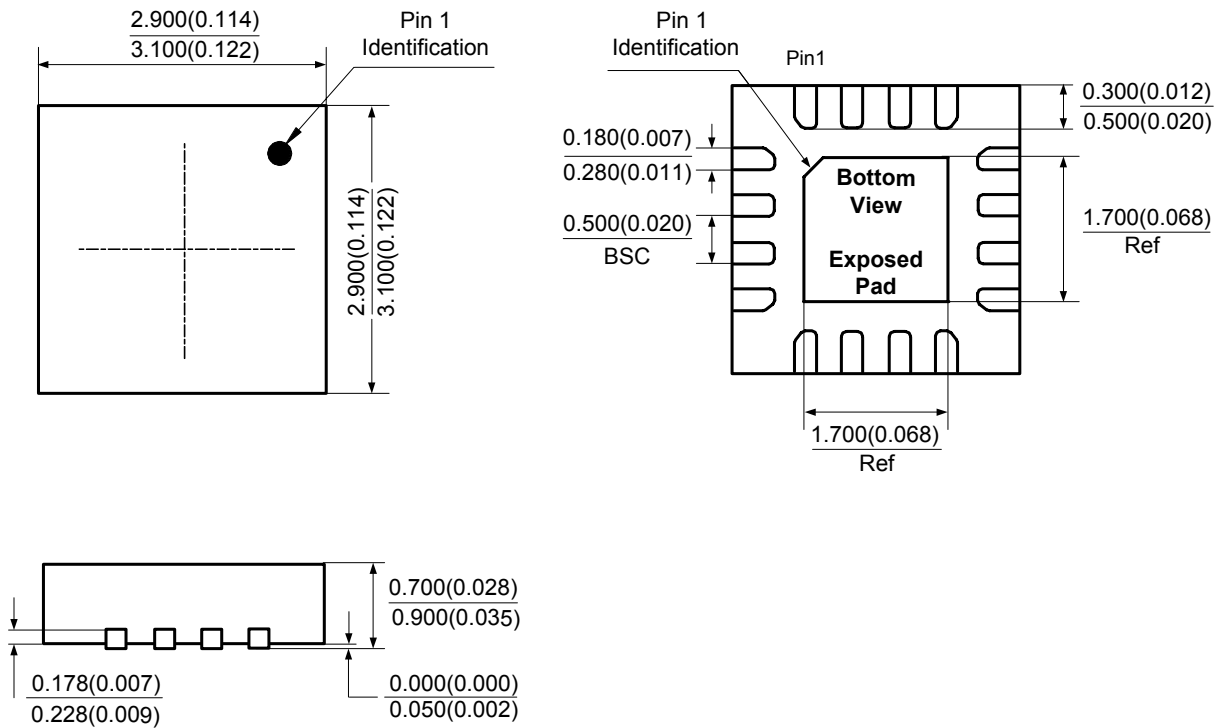
**BOOST CONTROLLER**

**AP3039**

**Mechanical Dimensions**

**QFN-3x3-16**

**Unit: mm(inch)**



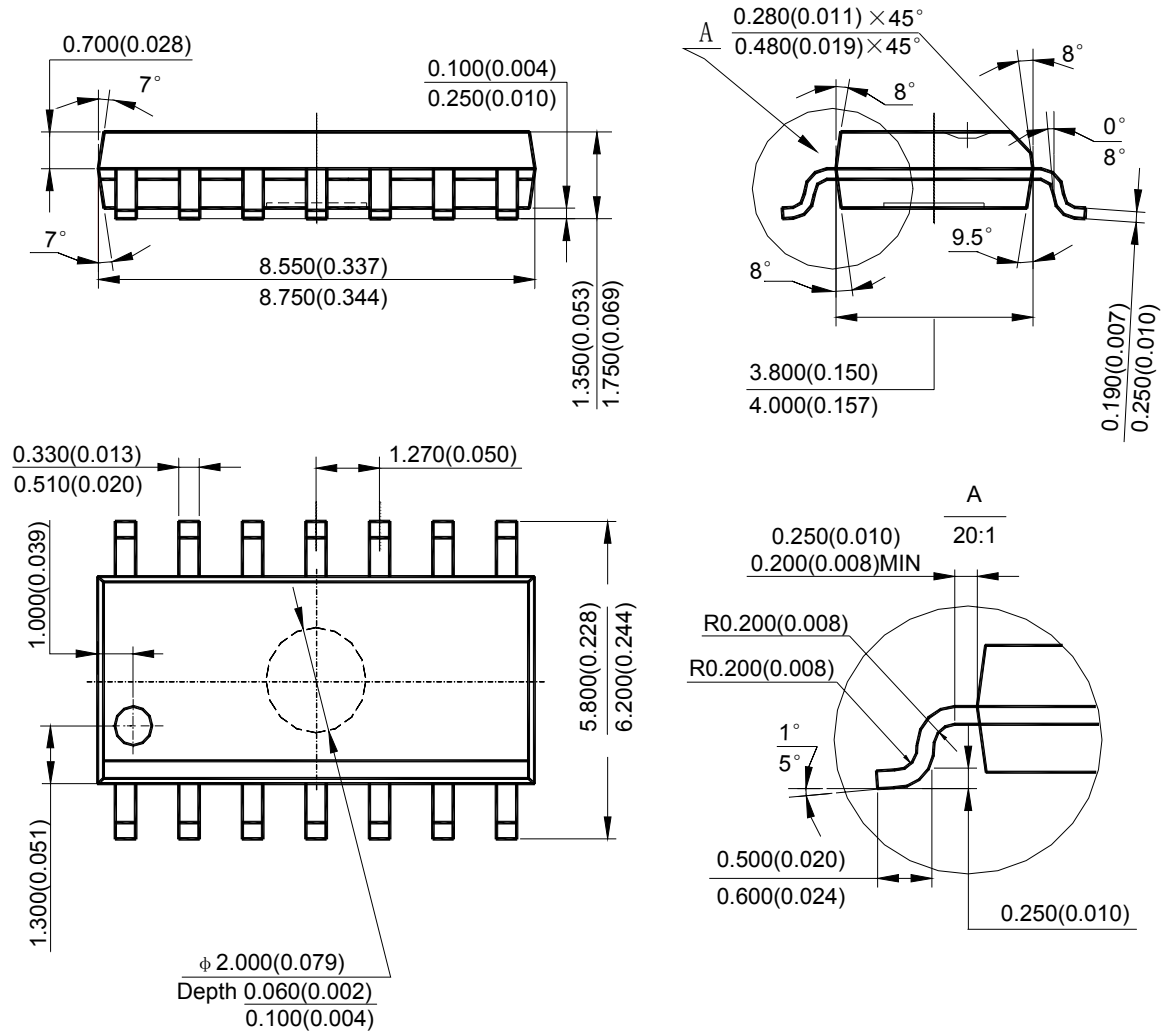
**BOOST CONTROLLER**

**AP3039**

**Mechanical Dimensions (Continued)**

**SOIC-14**

**Unit: mm(inch)**



Note: Eject hole, oriented hole and mold mark is optional.



## **BCD Semiconductor Manufacturing Limited**

<http://www.bcdsemi.com>

### **IMPORTANT NOTICE**

BCD Semiconductor Manufacturing Limited reserves the right to make changes without further notice to any products or specifications herein. BCD Semiconductor Manufacturing Limited does not assume any responsibility for use of any its products for any particular purpose, nor does BCD Semiconductor Manufacturing Limited assume any liability arising out of the application or use of any its products or circuits. BCD Semiconductor Manufacturing Limited does not convey any license under its patent rights or other rights nor the rights of others.

---

#### **MAIN SITE**

##### **- Headquarters**

##### **BCD Semiconductor Manufacturing Limited**

No. 1600, Zi Xing Road, Shanghai ZiZhu Science-based Industrial Park, 200241, China  
Tel: +86-21-24162266, Fax: +86-21-24162277

##### **- Wafer Fab**

##### **Shanghai SIM-BCD Semiconductor Manufacturing Co., Ltd.**

800 Yi Shan Road, Shanghai 200233, China  
Tel: +86-21-6485 1491, Fax: +86-21-5450 0008

#### **REGIONAL SALES OFFICE**

##### **Shenzhen Office**

##### **Shanghai SIM-BCD Semiconductor Manufacturing Co., Ltd., Shenzhen Office**

Unit A Room 1203, Skyworth Bldg., Gaoxin Ave. 1.S., Nanshan District, Shenzhen, China  
Tel: +86-755-8826 7951  
Fax: +86-755-8826 7865

##### **Taiwan Office**

##### **BCD Semiconductor (Taiwan) Company Limited**

4F, 298-1, Rui Guang Road, Nei-Hu District, Taipei, Taiwan  
Tel: +886-2-2656 2808  
Fax: +886-2-2656 2806

##### **USA Office**

##### **BCD Semiconductor Corp.**

30920 Huntwood Ave. Hayward, CA 94544, USA  
Tel : +1-510-324-2988  
Fax: +1-510-324-2788