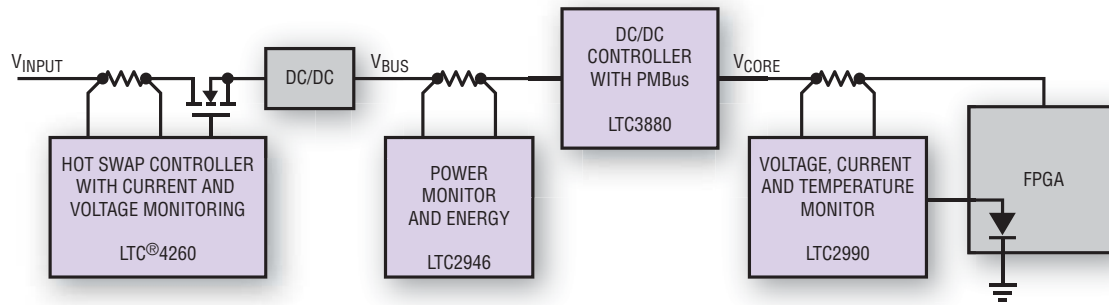


Power and Thermal Monitoring



Linear Technology Every Trace of the Way

"Knowledge is power," which is especially true at the board level of many electronic applications. Knowledge of key system parameters provides valuable feedback and allows users to monitor the health of a system and make intelligent decisions. From input voltage to the temperature of an FPGA, these key metrics help determine whether a system is operating correctly, efficiently or even dangerously. We offer various types of monitoring ICs—from Hot Swap™ controllers with built-in monitoring capabilities to dedicated power and temperature monitors.

Key System Parameters



Current: Our current monitoring ICs implement a high side differential current sensing scheme to avoid the pitfalls of low side sensing by using special amplifiers and ADCs, providing users with inrush and operational current insight, improved diagnostic capabilities and maintenance of ground path integrity.



Voltage: Our voltage monitoring ICs provide single-ended or differential measurements with up to 0.04% accuracy of voltages ranging from -100V to 80V, allowing users to monitor virtually any input, bus or core voltage in a system and take proactive or reactive measures against drifting or failing rails.



Power: Our power monitoring ICs integrate an accurate multiplier to alleviate the host of multiplying current and voltage data, and provide users with average or instantaneous power readings. Features like an analog or digital interface, high voltage capabilities, and up to 1.5% accuracy simplify part selection.



Temperature: Our temperature monitoring ICs provide up to $\pm 0.25^\circ\text{C}$ accurate digital or analog readings of internal (die) or external (diode) temperature, allowing users to easily and cost-effectively implement board or component temperature sensing schemes for system health assessment or application-specific purposes.



Coulombs: Our coulomb counting ICs provide 1% accurate charge readings, with optional readings of temperature and voltage, so users are equipped with the fundamental parameters required to implement custom battery profiles and accurately assess the most treasured parameter in battery gas gauging applications – state of charge (SoC).



Energy: Our energy monitoring ICs provide 1% accurate energy measurements, with optional readings of voltage, current, temperature, power and coulombs, to alleviate the host of burdensome calculations, while staying "green".



LT, LT, LTC, LTM, Linear Technology and the Linear logo are registered trademarks and Hot Swap and isoSPI are trademarks of Linear Technology Corporation. All other trademarks are the property of their respective owners.

Power and Thermal Monitoring

Device Type	Part Number	Monitored Parameters				Energy	Supply Range	Interface	Description
		Voltage	Current	Temp	Power				
Hot Swap Controllers	LTC4215	•	•				2.9V to 15V	I ² C	Hot Swap Controller with 8-Bit Monitoring
	LTC4218		•				2.9V to 26.5V	Current	Hot Swap Controller
	LTC4222	•	•				2.9V to 29V	I ² C	Dual Hot Swap Controller with 10-Bit Monitoring
	LTC4232		•	•			2.9V to 15V	Current	5A Hot Swap Controller
	LTC4233		•	•			2.9V to 15V	Current	10A Hot Swap Controller
	LTC4234		•	•			2.9V to 15V	Current	20A Hot Swap Controller
	LTC4260	•	•				8.5V to 80V	I ² C	Hot Swap Controller with 8-Bit Monitoring
	LTC4261	•	•				-12V to -100V	I ² C	Hot Swap Controller with 10-Bit Monitoring
	LTC4280	•	•				2.9V to 15V	I ² C	Hot Swap Controller with 8-Bit Monitoring
	LTC4282	•	•		•	•	2.9V to 33V	I ² C	Hot Swap Controller with 12/16-Bit Monitoring
Power Monitors	LTC2945	•	•		•		0V to 80V	I ² C	High Voltage Rail-to-Rail Current and Power Monitor
	LTC2946	•	•		•	•	0V to 100V	I ² C	High Voltage Rail-to-Rail Power and Energy Monitor
	LTC4151	•	•				7V to 80V	I ² C	High Voltage Current and Voltage Monitor
	LTC2940	•	•		•		4V to 80V	Current	500kHz Power and Current Monitor
	LTC2990	•	•	•			3V to 5.5V	I ² C	Quad Voltage, Current and Temperature Monitor
Temperature Monitors	LTC2991	•	•	•			3V to 5.5V	I ² C	Octal Voltage, Current and Temperature Monitor
	LTC2995	•	•	•			2.25V to 5.5V	Voltage	Temperature Sensor and Dual Voltage Monitor
	LTC2996		•	•			2.25V to 5.5V	Voltage	Temperature Sensor with Alerts
	LTC2997		•	•			2.5V to 5.5V	Voltage	Temperature Sensor
	LTC2970	•	•	•			4.5V to 15V	I ² C	Dual Power System Manager
Power System Managers	LTC2974	•	•	•	•		3.13V to 15V	I ² C/PMBus	Quad Power System Manager with EEPROM
	LTC2975	•	•	•	•		3.13V to 15V	I ² C/PMBus	Quad Power System Manager with EEPROM
	LTC2977	•	•	•	•	•	3.13V to 15V	I ² C/PMBus	Quad Power System Manager with EEPROM
	LTC2980	•	•	•	•		3.13V to 15V	I ² C/PMBus	Octal Power System Manager with EEPROM
	LTM2987	•	•	•	•		3.13V to 15V	I ² C/PMBus	16-Channel Power System Manager with EEPROM
Power Supply Controllers	LTC3880	•	•	•			4.5V to 24V	I ² C/PMBus	16-Channel µModule Power System Manager with EEPROM
	LTC3883	•	•	•			4.5V to 24V	I ² C/PMBus	Dual PMBus DC/DC Controller with EEPROM
	LTC2941		•			•	4.5V to 24V	I ² C/PMBus	Single PMBus DC/DC Controller with EEPROM
Battery Gas Gauges	LTC2942	•		•		•	2.7V to 5.5V	I ² C	Battery Gas Gauge
	LTC2943	•	•	•		•	2.7V to 5.5V	I ² C	Battery Gas Gauge with Temperature & Voltage Measurement
	LTC2944	•	•	•		•	3.6V to 20V	I ² C	Multicell Battery Gas Gauge
	LTC2944	•	•	•		•	3.6V to 60V	I ² C	Multicell Battery Gas Gauge
	LTC4150					•	2.7V to 8.5V	Logic	Battery Gas Gauge
Battery Stack Monitors	LTC6801	•		•			10V to 50V	Logic	Multicell Battery Stack Fault Monitor
	LTC6802	•		•			4V to 50V	SPI	Multicell Battery Stack Monitor with 0.25% Accuracy
	LTC6803	•		•			4V to 55V	SPI	Multicell Battery Stack Monitor with 0.25% Accuracy
	LTC6804	•		•			11V to 55V	SPI/isoSPI™	Multicell Battery Stack Monitor with 0.067% Accuracy
Battery Chargers	LTC4015	•	•	•		•	4.5V to 35V	I ² C	Multi-Chemistry Buck with Digital Telemetry System