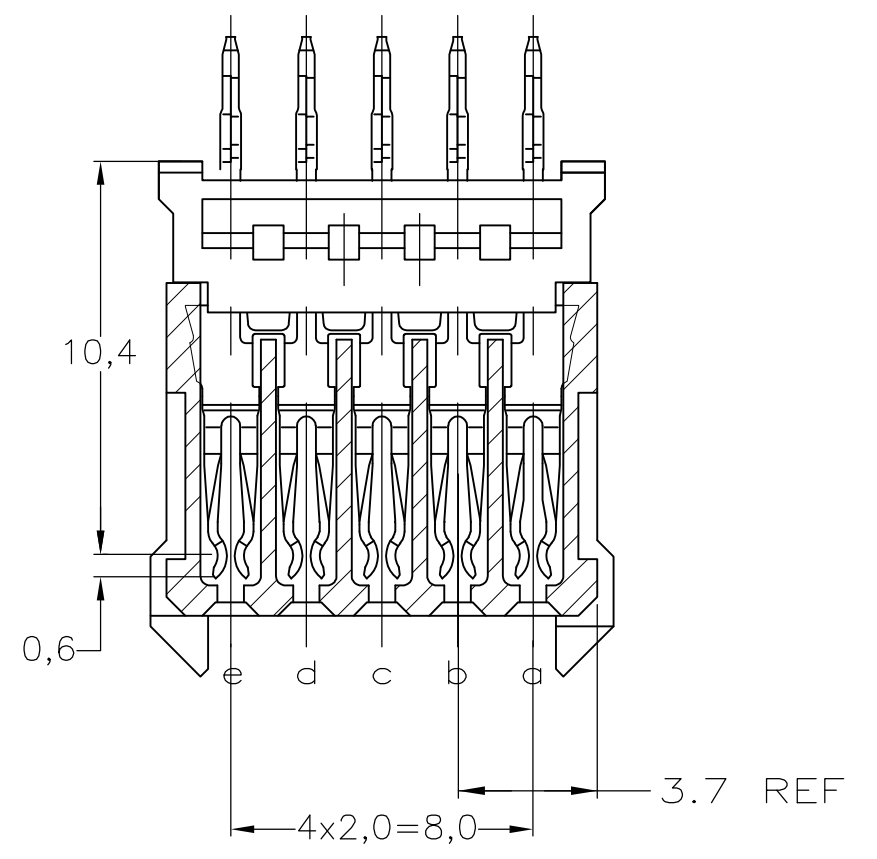
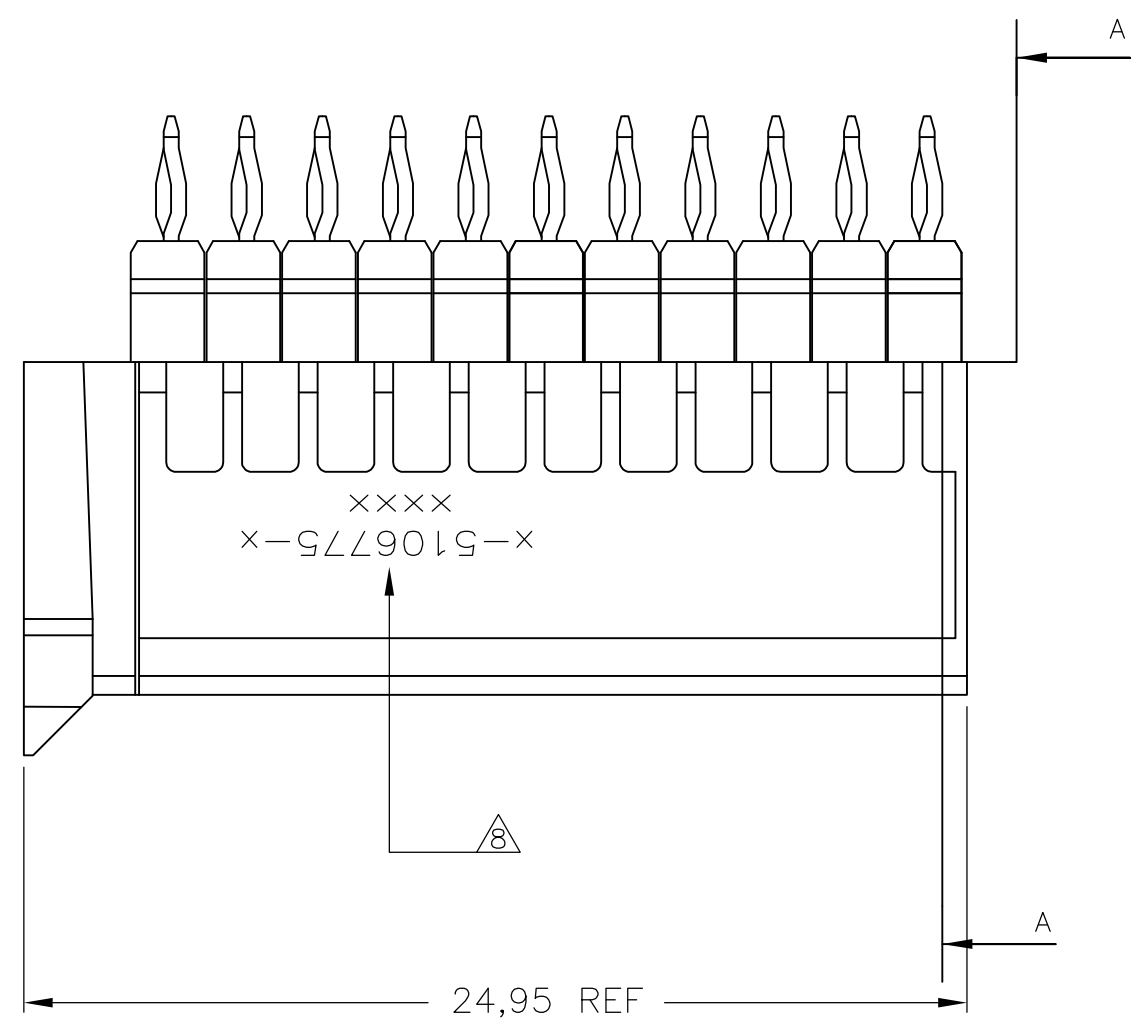
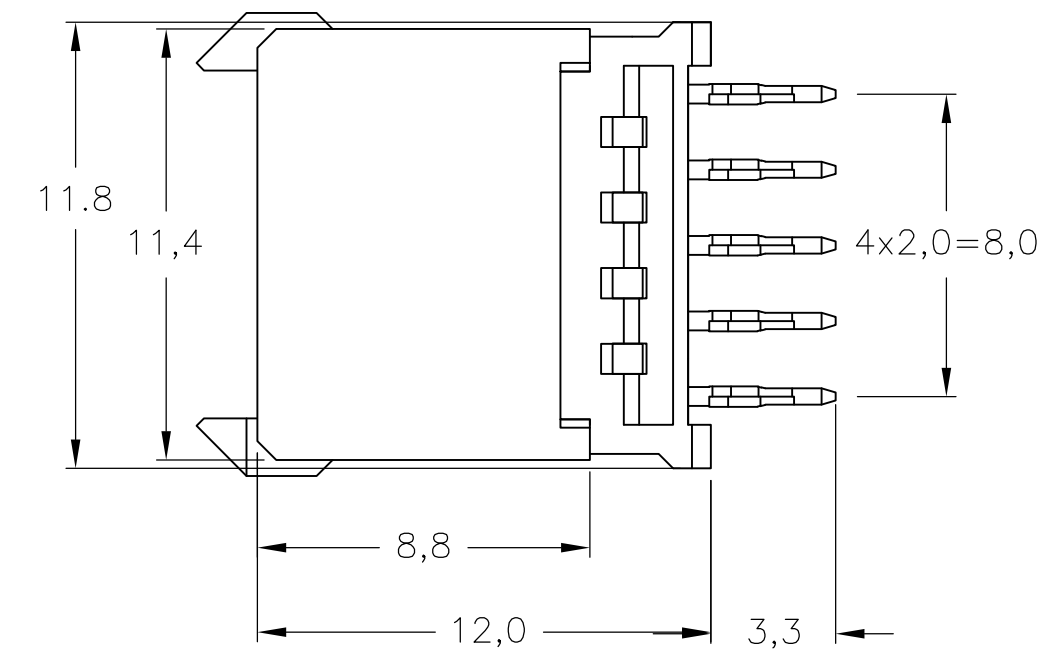
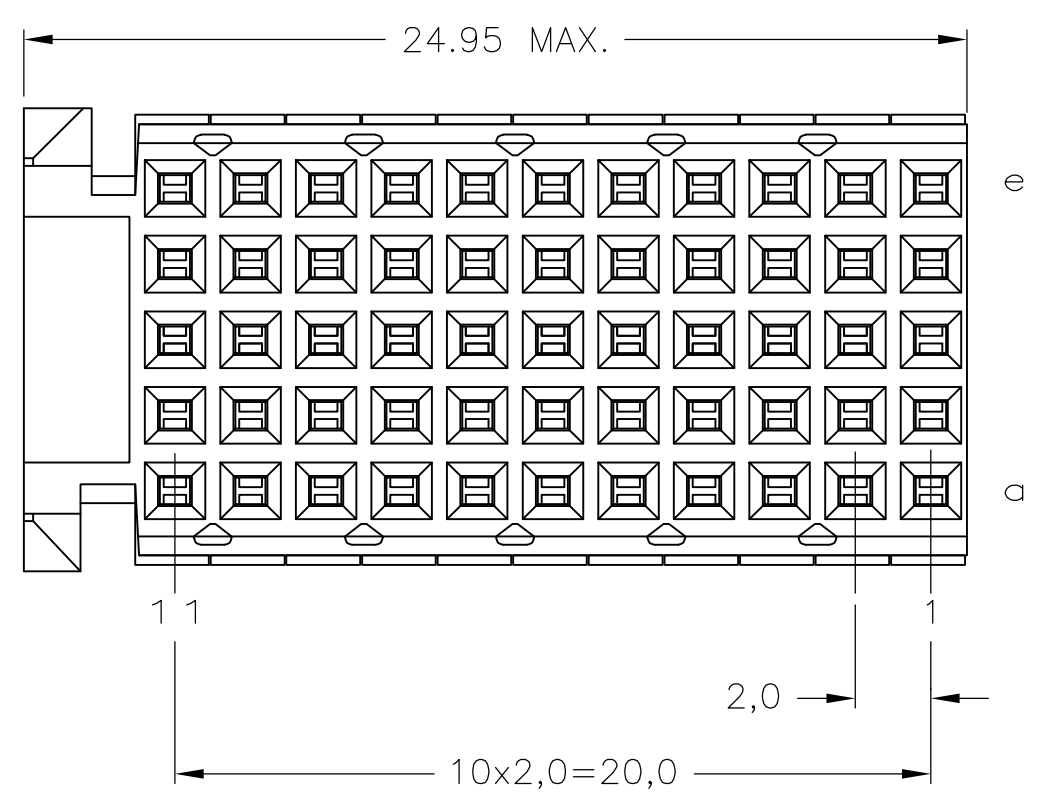


THIS DRAWING IS UNPUBLISHED. RELEASED FOR PUBLICATION
 © COPYRIGHT - By - ALL RIGHTS RESERVED.

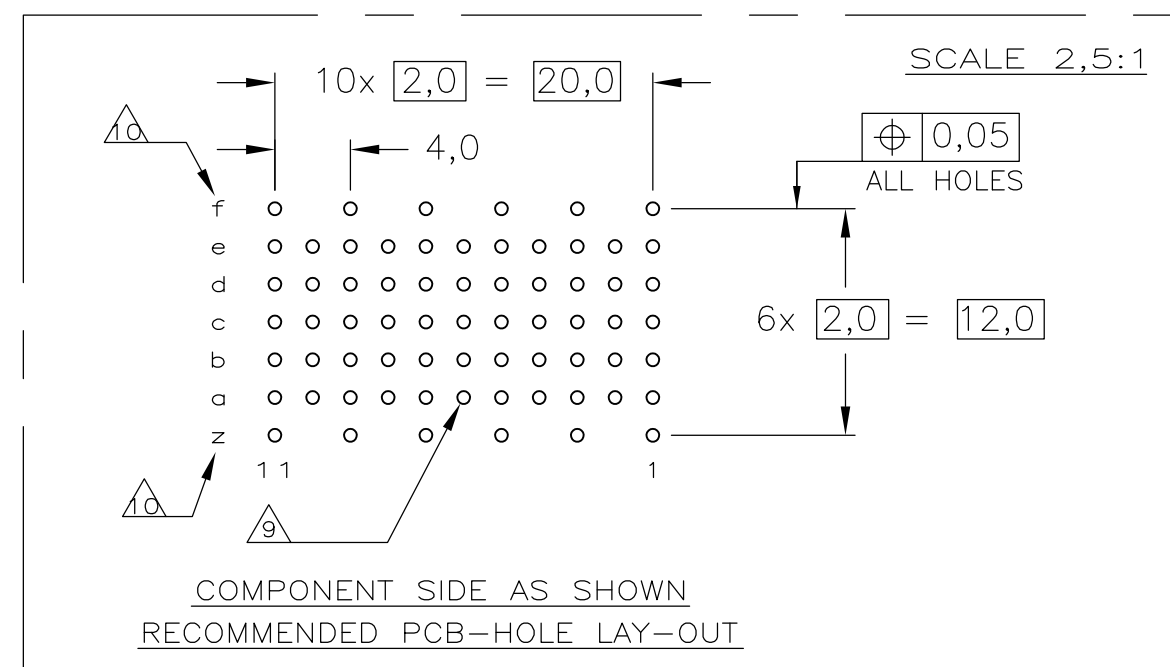
LOC		DIST		REVISIONS			
P	LTR	DESCRIPTION	DATE	DWN	APVD		
D		RELEASED PER ECR ECR-11-009918	14MAY11	RC	CW		
F		ECR-12-007782	26APR12	AZ	AC		



SECTION A-A



- NOTES:**
- ⚠ MATERIAL CONTACT: PHOSPHORBRONZE
MATERIAL HOUSING: GLASSFILLED POLYESTER
UL-RATING 94V0 (GRAY).
 - ⚠ GENERAL PLATING SPECIFICATION: UNDERPLATING (ENTIRE CONTACT):
1,27µm NICKEL MIN. AND ACTION PIN: 0,5µm TIN MIN.
FOR PLATING OF MATING SURFACES SEE APPLICABLE
SPECIFICATION REFERENCE FOR EACH DASH NUMBER.
 - ⚠ CONFORMS TO ALL TESTING ACCORDING IEC 61076-4-101
PERFORMANCE LEVEL 2.
 - ⚠ CONFORMS TO ALL TESTING ACCORDING IEC 61076-4-101
PERFORMANCE LEVEL 1.
 - ⚠ CONNECTOR TESTED AND QUALIFIED AGAINST TELCORDIA GR-1217-CORE
QUALITY LEVEL III, CENTRAL OFFICE APPLICATIONS.
 - ⚠ CONNECTOR TESTED AND QUALIFIED AGAINST TELCORDIA GR-1217-CORE
QUALITY LEVEL III, UNCONTROLLED ENVIRONMENT APPLICATIONS.
 - ⚠ CONNECTOR LUBRICATED WITH TELCORDIA GR-1217-CORE
APPROVED LUBRICANT.
 - ⚠ CONNECTOR PRINTED WITH PARTNUMBER AND DATECODE.
 - ⚠ PLATED-THROUGH HOLES AT 2x2mm SQUARE GRID (55 HOLES).
HOLES IN ROW f AND z FOR POSSIBLE FUTURE USE OF
GROUND RETURN SHIELD. (SHIELDS NOT YET TOOLED)



P.C.B. HOLE DIM. ACTION PIN
FOR DETAILS SEE
APPLICATION SPECIFICATION

FINISH	MATERIAL	PARTNUMBER
⚠⚠⚠	⚠	1-5106775-9
⚠⚠	⚠	5106775-9
⚠	⚠	5106775-4
⚠	⚠	5106775-1

THIS DRAWING IS A CONTROLLED DOCUMENT.		DWN	13AUG2004	 TE Connectivity							
DIMENSIONS: mm		CHK	27OCT2004								
TOLERANCES UNLESS OTHERWISE SPECIFIED:		APVD	27OCT2004								
0-PLC ± - 1-PLC ± - 2-PLC ± - ±0.2 3-PLC ± - 4-PLC ± - ANGLES ± - FINISH -		NAME									
MATERIAL		APPLICATION SPEC 108-19082 APPLICATION SPEC 114-19029		Z-PACK 2mm HM TYPE C 55 POS. VERTICAL FEMALE CONNECTOR ASSEMBLY							
CUSTOMER DRAWING		WEIGHT	-	SIZE	A2	CAGE CODE	00779	DRAWING NO	C=5106775	RESTRICTED TO	-
SCALE		5:1		SHEET	1 of 1		REV	F			